

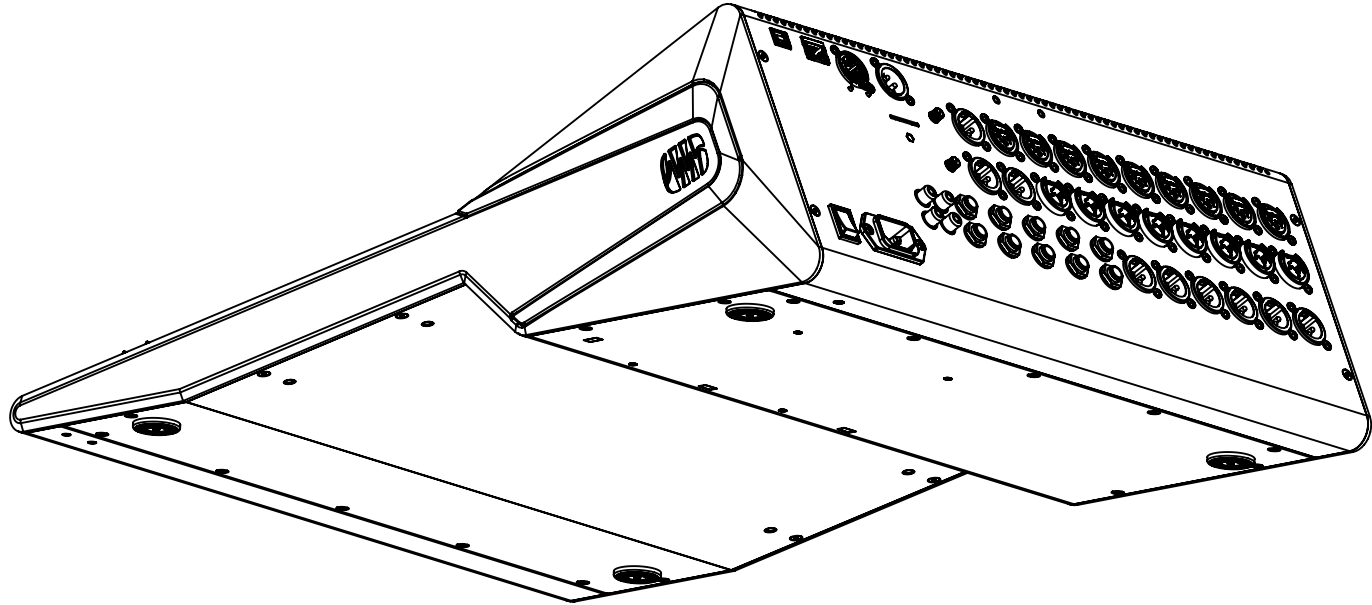
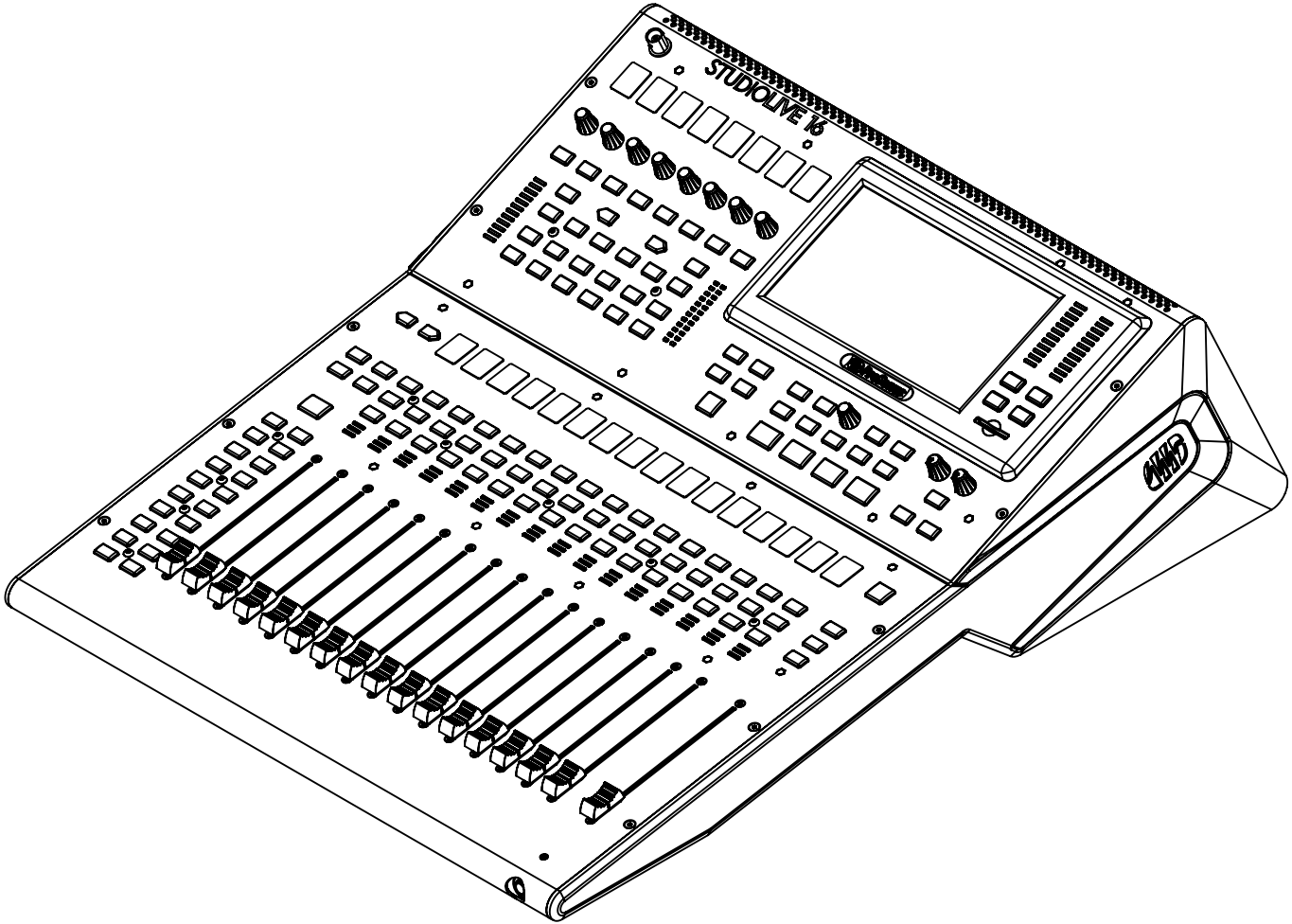
4

3

2

1

REVISIONS				
REV.	ECO	ZONE	APPROVED	DATE
A			RELEASE	RGW 10/17/16



SCALE 1 : 4

PROPRIETARY AND CONFIDENTIAL
 THE INFORMATION CONTAINED IN THIS
 DRAWING IS THE SOLE PROPERTY OF
 PRESONUS AUDIO ELECTRONICS INC.
 ANY USE OR REPRODUCTION IN PART
 OR AS A WHOLE WITHOUT THE
 WRITTEN
 PERMISSION OF PRESONUS AUDIO
 ELECTRONICS IS PROHIBITED.

UNLESS OTHERWISE SPECIFIED: DIMENSIONS ARE IN MM TOLERANCES: ANGLE .X \ SEE NOTES .XX \ .XXX \	NAME	DATE
MATERIAL: SEE NOTES	DRAWN BY: RGW	10/17/16
FINISH: SEE NOTES	ENG. APPR.	
DO NOT SCALE DRAWING	MFG. APPR.	
	COMMENTS:	

		PRESONUS AUDIO ELEC. INC. 18011 GRAND BAY COURT BATON ROUGE, LA 70809 USA	
TITLE: PRODUCT ASSEMBLY - STUDIO LIVE 16			
SIZE B	DWG. NO. 92-20000019	REV. A	
SCALE:	SHEET 1 OF 3		

4

3

2

1

D

C

B

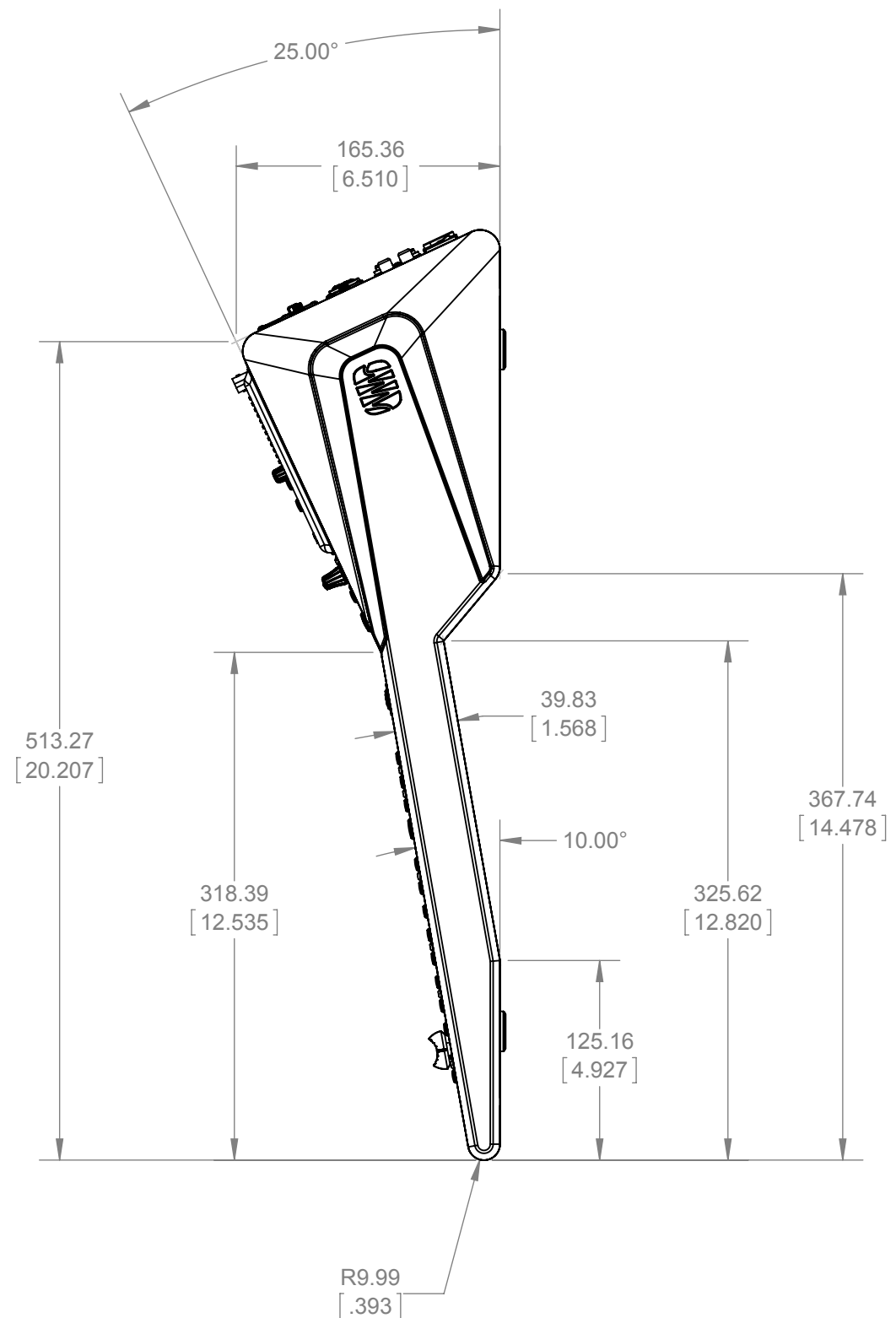
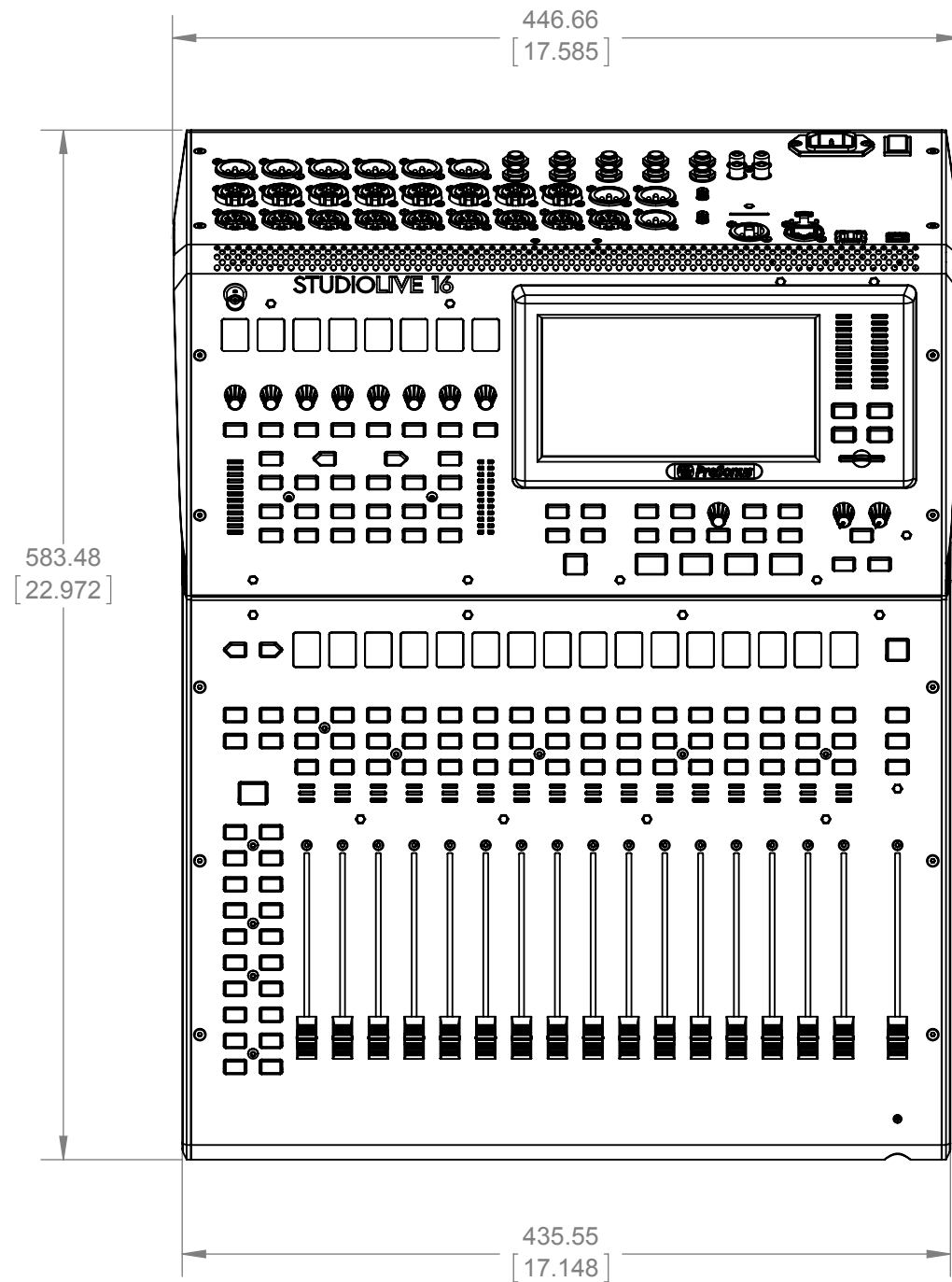
A

D

C

B

A



SCALE 1 : 4

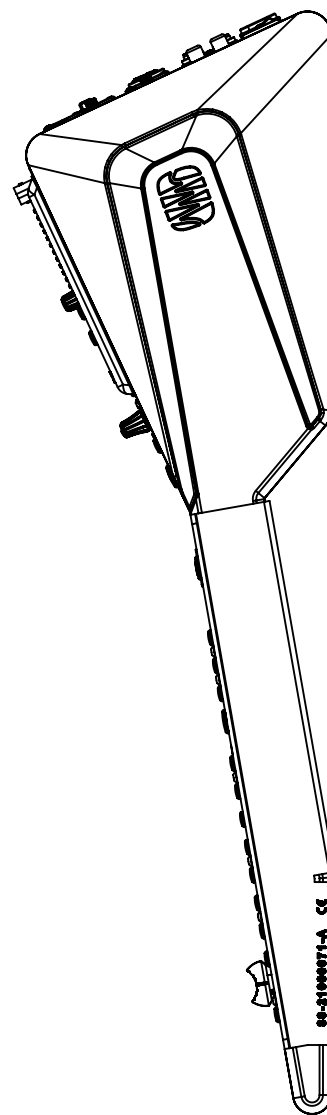
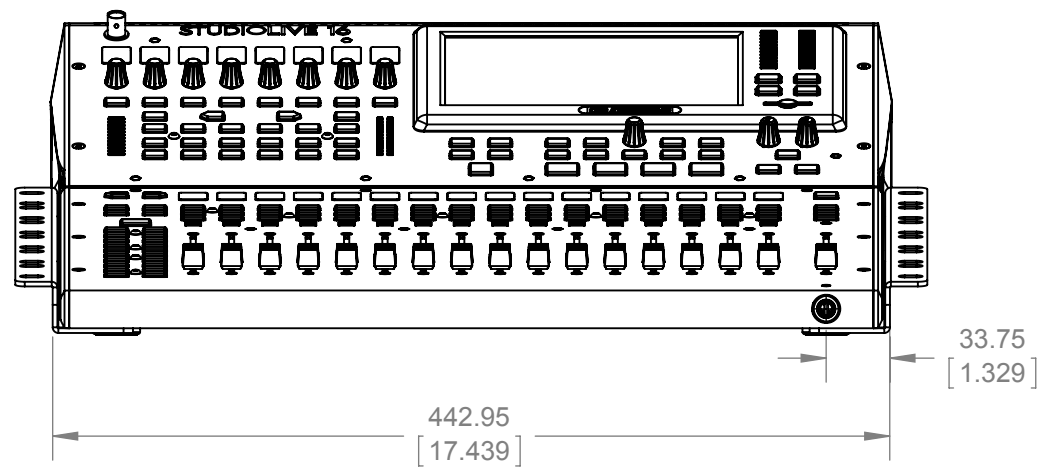
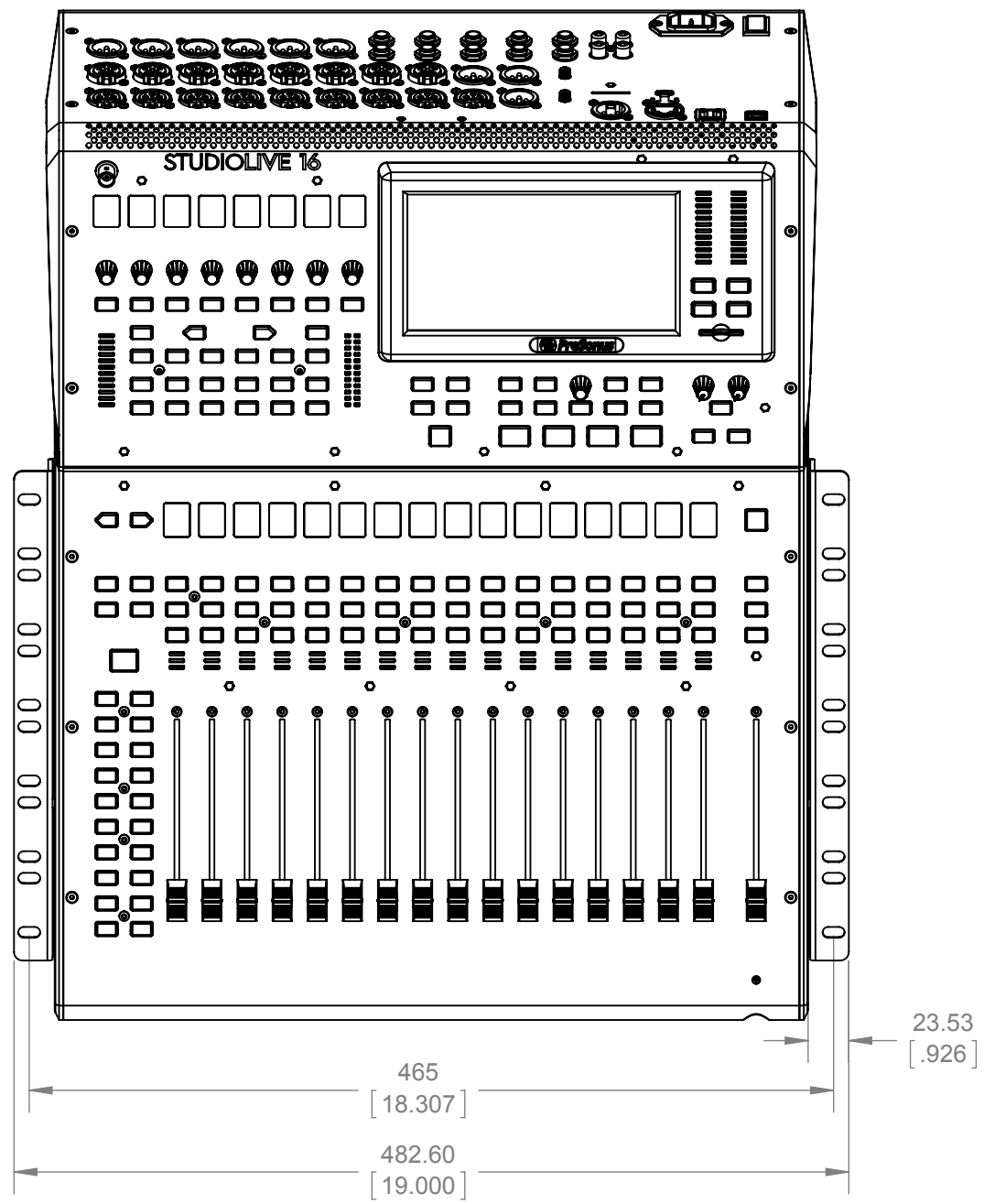
SIZE B	DWG. NO. 92-20000019	REV. A
SCALE: NONE	SHEET 2 OF 3	

4

3

2

1



SCALE 1 : 4

SIZE B	DWG. NO. 92-20000019	REV. A
SCALE: NONE	SHEET 3 OF 3	

4

3

2

1

D

D

C

C

B

B

A

A